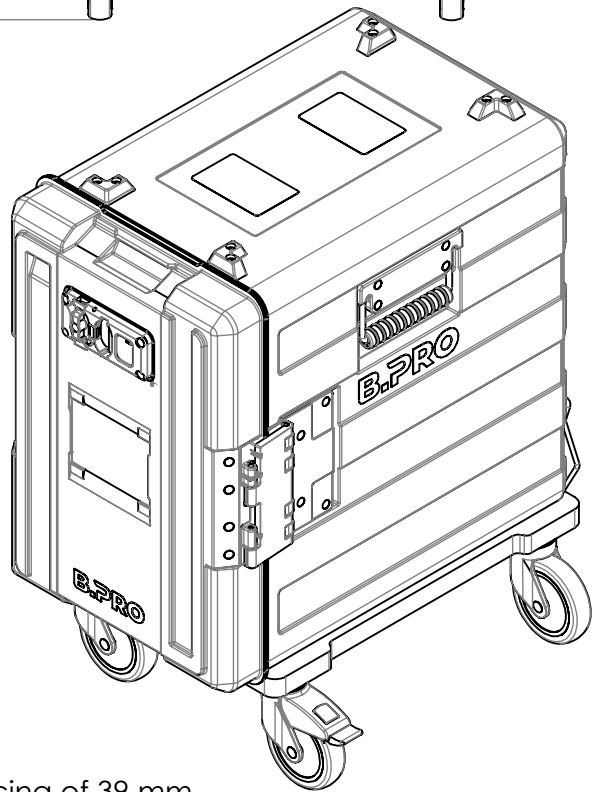
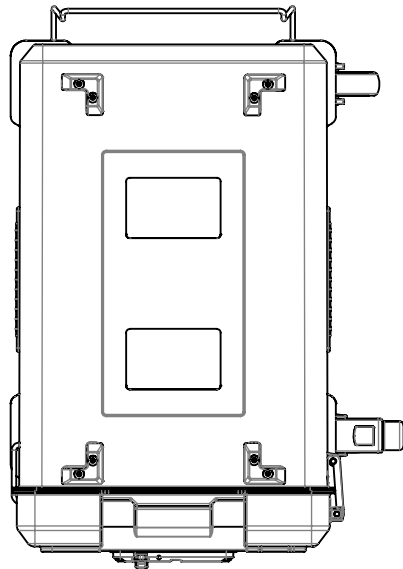
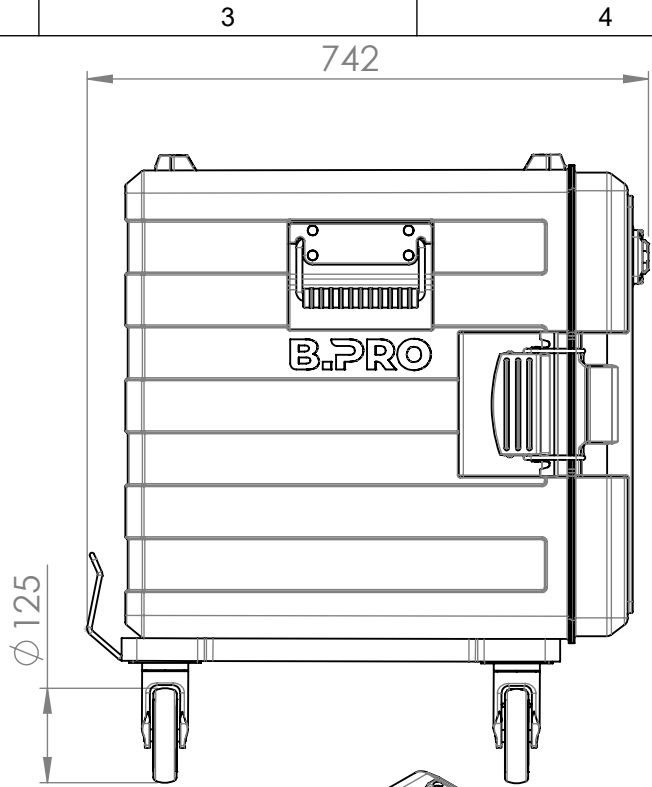
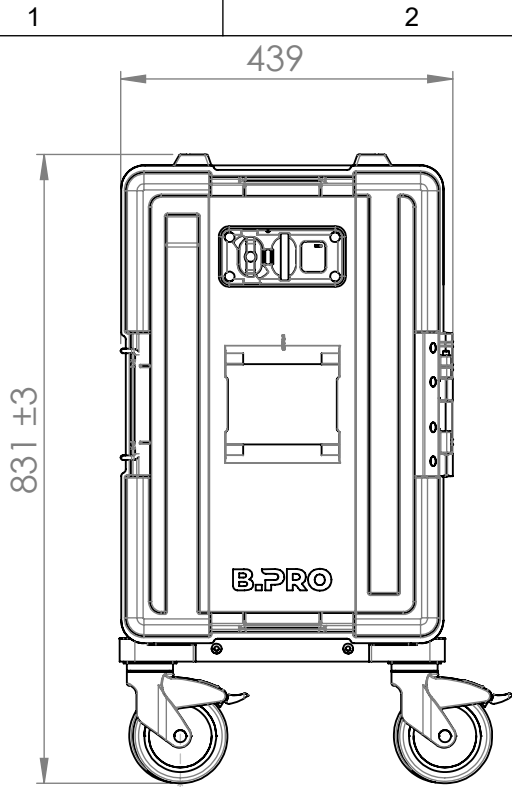


© This drawing may without our consent neither duplicated, still third persons submitted or handed over. Offences can after § 18 of the Law over mean competition criminal pursuit to involve.

Ausgedruckte Zeichnung unterliegt nicht dem Änderungsdienst!  
Printed Drawing is not automatically updated!

© Diese Zeichnung darf ohne unsere Einwilligung weder vervielfältigt, noch dritten Personen vorgelegt oder ausgenäht werden. Zuwiderhandlungen können nach § 18 des Gesetzes über unlauteren Wettbewerb strafrechtliche Verfolgung nach sich ziehen



Capacity: 3x GN 1/1-150 or their subdivision  
12 pairs of support ledges with spacing of 39 mm  
Max. load: 70 kg  
Colour of fastening components and specification of power cable depends on order number

|                                     |            |                             |        |            |     |                   |             |                  |         |                 |                 |  |
|-------------------------------------|------------|-----------------------------|--------|------------|-----|-------------------|-------------|------------------|---------|-----------------|-----------------|--|
| 1                                   | 322.076.21 |                             |        |            |     |                   |             |                  |         | Date            | Name            |  |
| Index                               | Rev.-No.   | Description of modification |        |            |     |                   |             |                  |         | KDI             | Std. paper-size |  |
| <b>B.PRO</b>                        |            | Scale                       | M 1:10 | Group      | 100 | Status            | freigegeben | Document type    | KDI     | Std. paper-size | A4              |  |
|                                     |            |                             |        | Material   |     |                   |             |                  | Surface |                 |                 |  |
| Tolerances according to ISO 2768-cL |            | Date                        |        | Name       |     | Document item-no. |             | 2000176368.03    |         |                 |                 |  |
|                                     |            | Drawn                       |        | 27.08.2021 |     | SüßmannH          |             |                  |         |                 |                 |  |
|                                     |            | Checked                     |        | 23.09.2021 |     | KeselC            |             | SAP material-no. |         | 00380906        |                 |  |
| Approved                            |            | 23.09.2021                  |        | KeselC     |     |                   |             |                  |         |                 |                 |  |
| Origin                              |            | Description                 |        |            |     |                   |             |                  |         |                 |                 |  |
|                                     |            | BPT 620 KBUH-F              |        |            |     |                   |             |                  |         |                 |                 |  |

Notice: 2000194848 Sheet 1 of 1