



SELF-CONTAINED/MODULAR CUBER

INSTRUCTION MANUAL

(original instructions)

IM-21CPE
IM-30CPE
IM-30CWPE
IM-45CPE
IM-45PE
IM-45WPE
IM-65PE
IM-65WPE
IM-100PE
IM-130CPE
IM-130PE
IM-130WPE
IM-130APE
IM-240PE
IM-240WPE
IM-240APE
IM-240AWPE
IM-240DPE
IM-240DWPE
IM-240XPE
IM-240XWPE

HOSHIZAKI EUROPE LIMITED

Telford 70, Stafford Park 7, Telford, Shropshire, TF3 3BQ, UK

L1M113201

Rev01 (1224)

ENGLISH

IMPORTANT SAFETY INFORMATION 1

I. INSTALLATION INSTRUCTIONS.....3

 1. CONSTRUCTION3

 2. ACCESSORIES3

 3. UNPACKING4

 4. LOCATION5

 5. INSTALLATION7

 6. ELECTRICAL CONNECTIONS.....9

 7. WATER SUPPLY AND DRAIN CONNECTIONS 10

II. OPERATING INSTRUCTIONS 13

 1. START UP..... 14

 2. CONTROLS 14

 3. PREPARING THE ICEMAKER FOR LONG STORAGE 14

III. MAINTENANCE 14

 1. CLEANING..... 14

 2. BEFORE CALLING FOR SERVICE..... 16

 3. DISPOSAL 16

 4. WARRANTY..... 17

IMPORTANT SAFETY INFORMATION

Throughout this manual, notices appear to bring your attention to situations which could result in death, serious injury, or damage to the unit.

▲WARNING	Indicates a hazardous situation which, if not avoided, could result in death or serious injury.
▲CAUTION	Indicates a hazardous situation which, if not avoided, could result in minor or moderate injury.
NOTICE	Indicates a hazardous situation which, if not avoided, could result in damage to the unit.
▲HYGIENE	Indicates important precautions for hygiene and food safety.
IMPORTANT	Indicates important information about the use and care of the unit.

This icemaker uses HFC-free refrigerant (propane) that is a non-ozone-depleting and environmentally sustainable material having very low global warming potential.

▲WARNING	
This icemaker contains flammable refrigerant in its cooling unit; installation, handling, servicing and disposal must therefore only be carried out by authorized technicians.	
The refrigerant contained in this icemaker is flammable and sealed in the refrigeration system. Although the refrigerant does not leak out under normal usage, take utmost care when handling this icemaker so as not to cause any damages to the system.	
In the case of accidental damage to the refrigeration system causing refrigerant leak:	
<ul style="list-style-type: none"> * Do not create a source of ignition in the area. * Do not operate electrical switches or plugs in the area. * Do not use naked flame. * Immediately ventilate the area by opening doors and/or windows. * Call service engineer. 	

IMPORTANT	
This booklet is an integral and essential part of the product and should be kept and preserved by the user.	
Please read carefully the guidelines and warnings contained herein as they are intended to provide the installer/user with essential information for the proper installation and the continued safe use and maintenance of the product.	
Please preserve this booklet for any further consultation that may be necessary.	
These products are IP20 rated.	

▲WARNING

This is a commercial icemaker, and should be destined only to be used for the purpose for which it has been expressly designed.
 Any other use should be considered improper and therefore dangerous.
 The manufacturer will not be held liable or responsible for any damage caused by improper, incorrect and unreasonable use.

The installation, and relocation if necessary, must be carried out by qualified personnel, in accordance with current regulations, according to the manufacturer's instructions.

Keep ventilation openings, in the appliance enclosure or in the built-in structure, clear of obstruction.

Do not use mechanical devices or other means to accelerate the defrosting process, other than those recommended by the manufacturer.

The use of any electrical appliance involves the observance of some fundamental rules. In particular:

- * Instances of high humidity and moisture increase the risk of electrical short circuits and potential electrical shocks. If in doubt, disconnect the icemaker.
- * Do not damage the power cord or pull it in order to disconnect the icemaker from the electrical supply network.
- * If the supply cord and/or plug should need to be replaced, it should only be done by a qualified service engineer.
- * Do not touch the electrical parts or operate the switches with damp hands.
- * This appliance is not intended for use by persons (including children) with reduced physical, sensory or mental capabilities, or lack of experience and knowledge, it can however be used by children aged from 8 years and above and persons with reduced physical, sensory or mental capabilities, or lack of experience and knowledge providing they have been given supervision or instruction concerning use of the appliance by a person responsible for their safety.
- * Children shall not play with the appliance.
- * Cleaning and user maintenance shall not be made by children without supervision.
- * Do not attempt to modify the icemaker. Only qualified personnel may disassemble or repair the appliance.

When positioning the appliance, ensure the supply cord is not trapped or damaged.

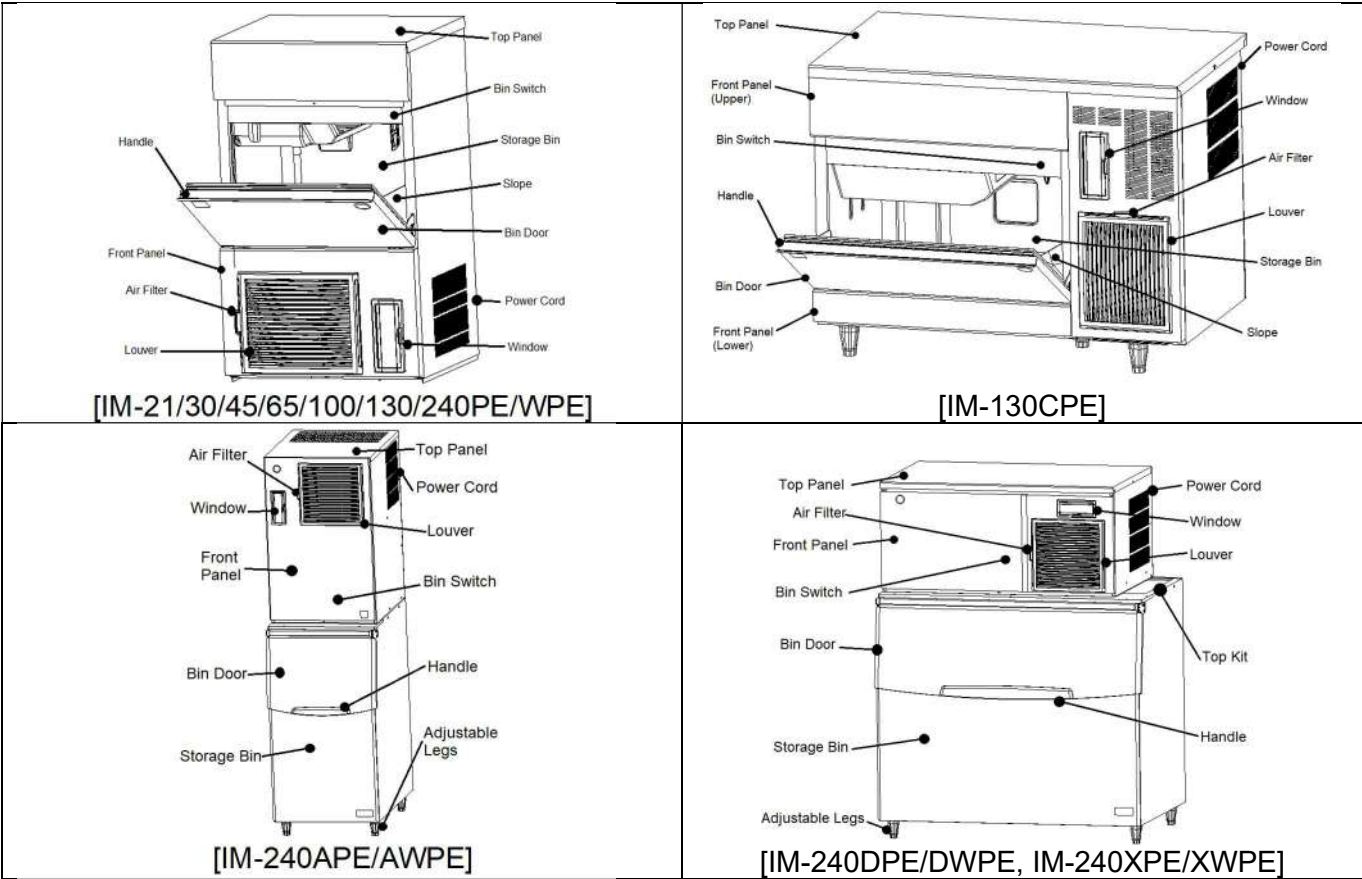
Do not locate multiple portable socket-outlets or portable power supplies at the rear of the appliance.



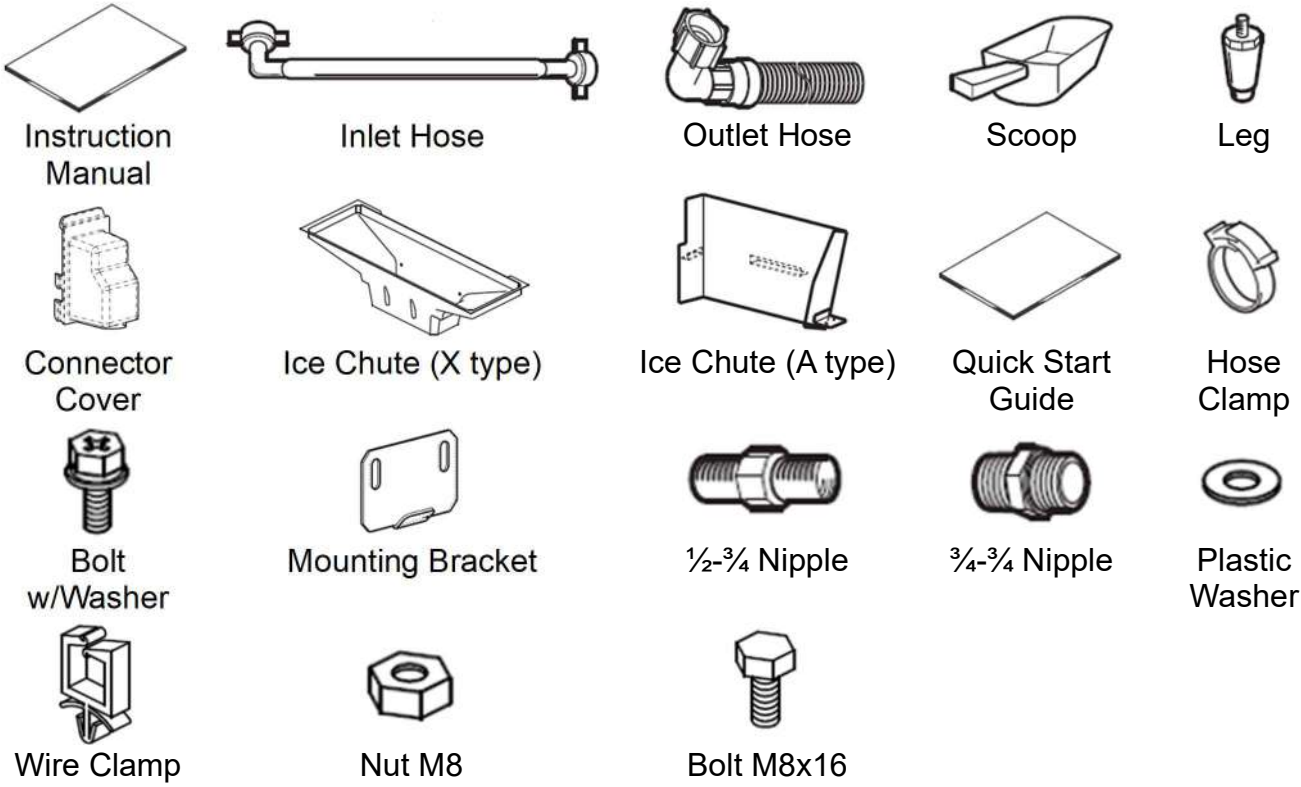
The meaning of this ISO 7010 W021 symbol is:
 "Warning: Risk of fire / flammable materials"

I. INSTALLATION INSTRUCTIONS

1. CONSTRUCTION



2. ACCESSORIES



All models include instruction manual and quick start guide, see the following tables for breakdown of additional parts. The presence of UVC and Drain Pump components varies by model; they may be pre-installed or omitted depending on the specific configuration.

* Qty.1 Hose clamp included in all drain pump models, IM-21CPE does not include legs. Compatibility kits are sold separately.

a. Self-Contained Models

	IM-21~45CPE/45~240PE	IM-30CWPE/45~240WPE	IM-130CPE
Inlet Hose	1	3	1
Outlet Hose	1	1	1
$\frac{3}{4}$ - $\frac{3}{4}$ Nipple	-	-	1
$\frac{1}{2}$ - $\frac{3}{4}$ Nipple	-	2	-
Leg	4	4	5
Connector Cover	1	1	1
Scoop	1	1	1

b. Modular Models

	IM-130APE IM-240APE	IM- 240AWPE	IM-240DPE	IM- 240DWPE	IM-240XPE	IM- 240XWPE
Inlet Hose	1	3	1	3	1	3
Outlet Hose	1	1	1	1	1	1
$\frac{1}{2}$ - $\frac{3}{4}$ Nipple	-	2	-	2	-	2
Cover	1	1	1	1	1	1
Ice Chute	1	1	-	-	1	1
Mount Bracket	2	2	2	2	2	2
Bolt w/Washer M5x12	2	2	2	2	-	-
Bolt w/Washer M4x10	-	-	-	-	4	4
Wire Clamp	-	-	-	-	2	2
Bolt M8x16	-	-	2	2	2	2
Plastic Washer	-	-	2	2	4	4
Nut M8	-	-	2	2	2	2

* Drain Pump and UVC features can be installed as optional kits. Please contact your dealer/supplier, or the nearest Hoshizaki Service office for details.

3. UNPACKING

▲WARNING

Children should not be allowed in reach of the packaging elements (plastic bags and expanded polystyrene) as they are potential sources of danger.

▲CAUTION

Do not lift or manoeuvre the carton by using the shipping bands.

When moving the unit by hand, hold the unit bottom.

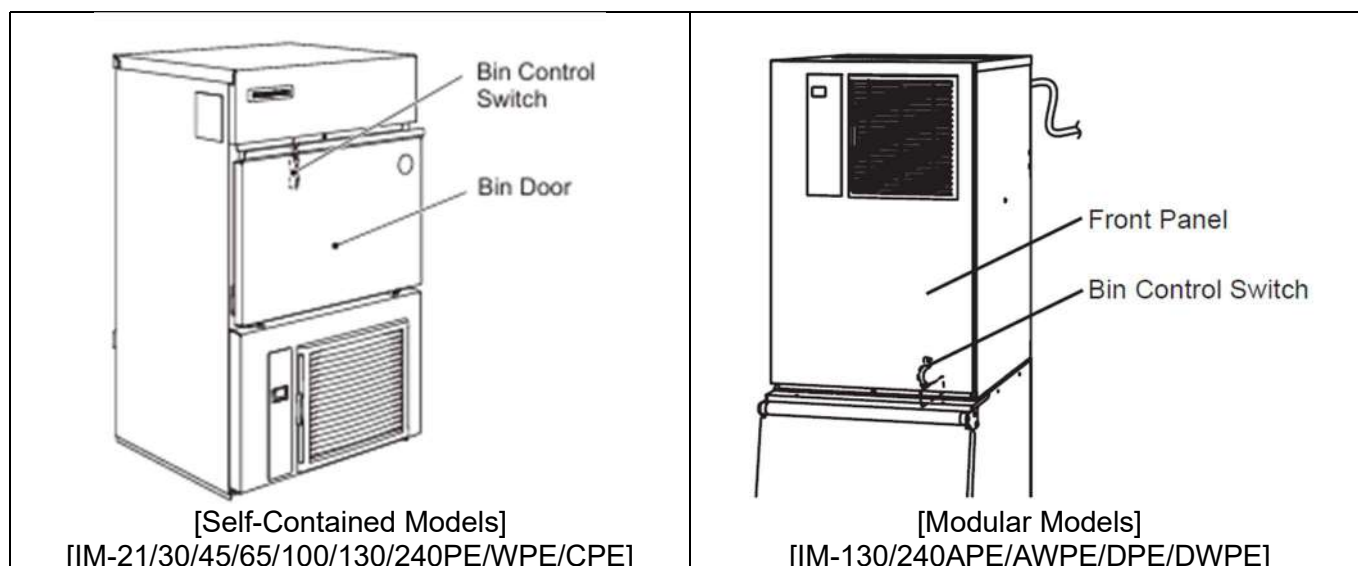
Always wear protective gloves when carrying the unit.

When handling the carton or the unpacked unit, work in pairs to prevent injury.

NOTICE

Remove shipping carton, tape(s) and packing. If packing material is left in the icemaker, it will not work properly.

- 1) Remove the external packaging.
- 2) After removing the packaging, make sure that the icemaker is in good condition. If in doubt, please do not use the icemaker but apply to professionally qualified personnel.
- 3) Remove the shipping tape holding the door and front panel louver.
- 4) Remove the protective plastic film from the exterior. If the icemaker is exposed to the sun or to heat, remove the film after the icemaker cools.
- 5) Remove the package of accessories. Check the contents according to “2. ACCESSORIES”.
- 6) Remove the shipping tape holding the bin control switch.
 - a. Self-contained models: by opening the bin door and reaching in.
 - b. Modular models: by opening the front panel and removing bin control from drain pan.



Note: Modular models need a storage bin, Hoshizaki recommends the following:

- a. A type (IM-130/240APE/AWPE): B-140SA
- b. D/X type (IM-240DPE/DWPE/XPE/XWPE): B-340SA

4. LOCATION

▲WARNING

This icemaker is not intended for outdoor use.

The icemaker should not be located next to ovens, grills or other high heat producing equipment.

This appliance is not suitable for installation in an area where a water jet could be used.

▲CAUTION

The location should provide a firm and level foundation for the icemaker.

NOTICE

Do not place anything on top of the icemaker or in front of the louver.

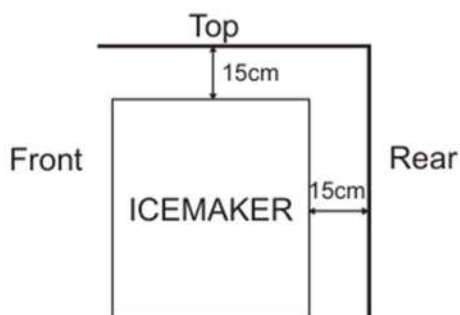
IMPORTANT

Normal operating ambient temperature should be within 1°C to 40°C. Water connection is cold water only. Operation of the icemaker, for extended periods, outside of these normal temperature ranges may affect production capacity.

Allow the clearance specified below for proper air circulation and ease of maintenance and/or service should they be required.

[IM-21/30CPE/CWPE, 45CPE]

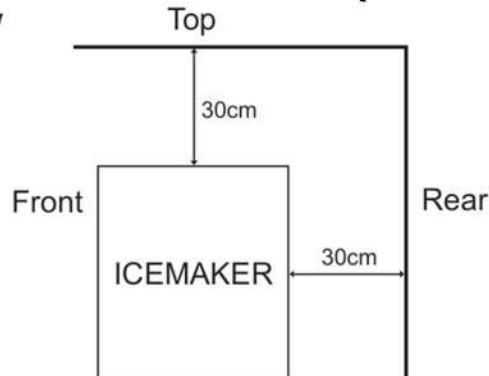
Side View



*No clearance required on sides

[IM-240PE/WPE/APE/AWPE]

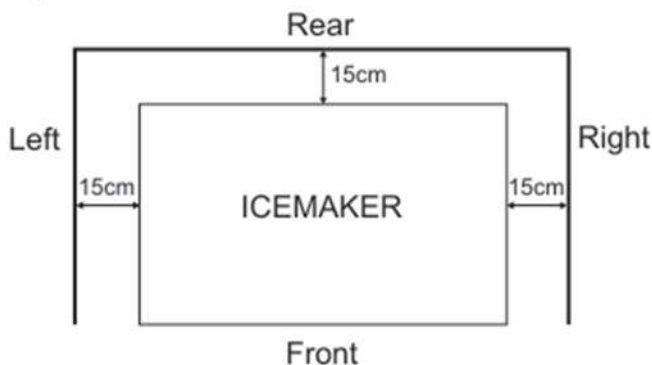
Side View



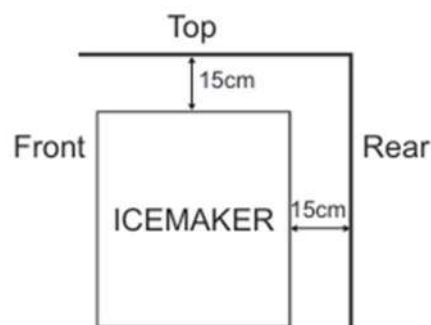
*5cm clearance required on sides

[IM-45/65/100/130PE/WPE, IM-130CPE]

Top View

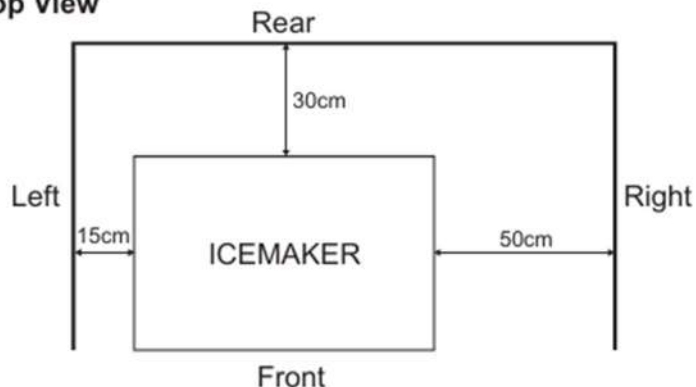


Side View

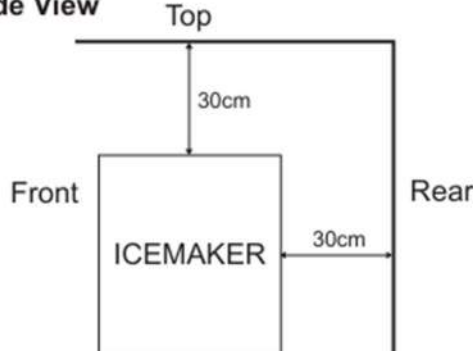


[IM-240DPE/DWPE, IM-240XPE/XWPE]

Top View



Side View



In some high humidity environments, condensation may form inside the machine and drip onto the floor. Do not install where the floor can be affected by water.

Avoid prolonged exposure of the appliance to direct sunlight.

5. INSTALLATION

⚠ CAUTION

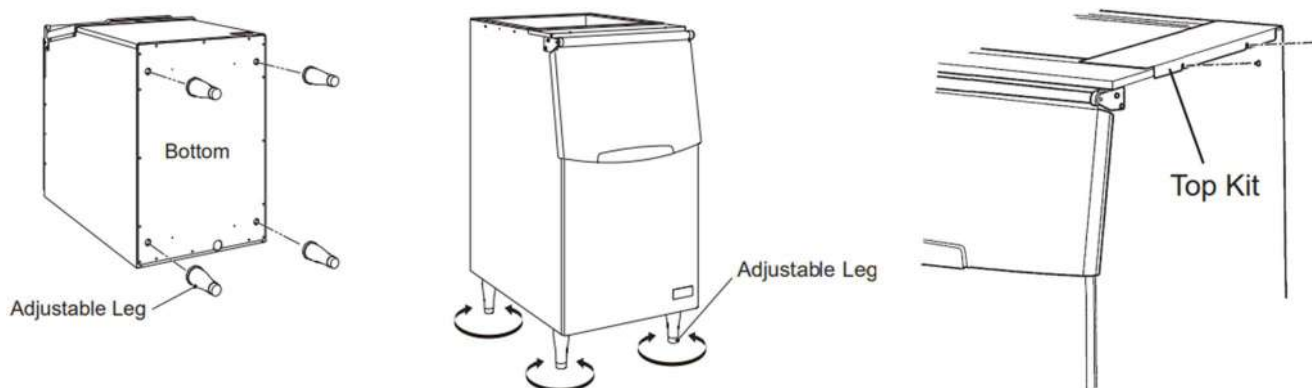
Incorrect installation can cause harm to people, animals or other items, for which the manufacturer cannot be held responsible.

a. Self-Contained Model

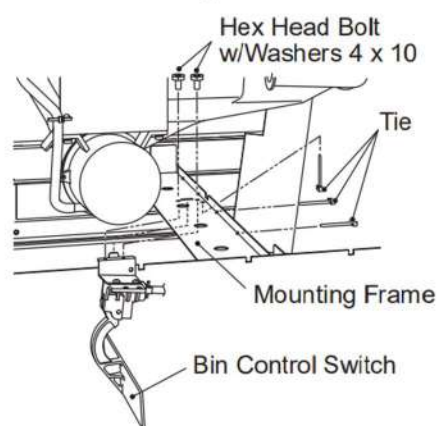
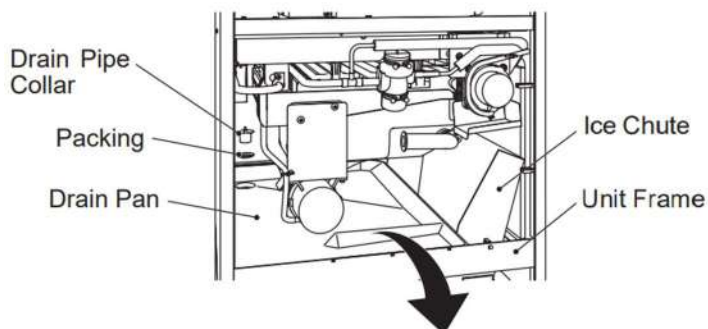
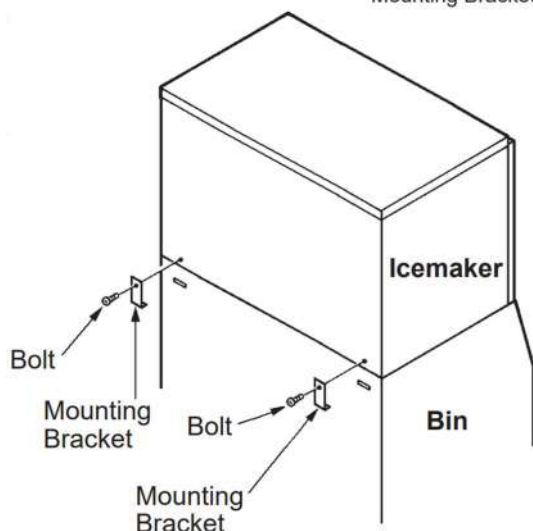
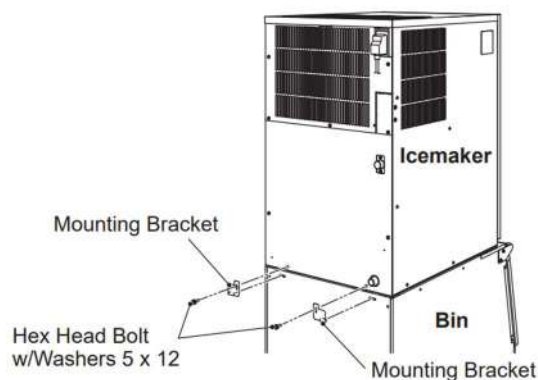
- 1) Place the icemaker in the selected permanent site.
- 2) Secure the adjustable legs (accessories) into the tapped holes on the underside icemaker, level the unit in both the left-to-right and front-to-rear directions.

b. Modular Model

- 1) Lay the storage bin on its rear side carefully to prevent damage. Secure the four adjustable legs (bin accessory) into the four tapped holes on the underside of the bin.
- 2) Position the storage bin in the selected permanent position, and level it in both the left-to-right and front-to-rear directions.



- 3) Use the screws provided on the left or right side of the storage bin to install the top kit as required.
- 4) Remove the icemaker panels. The rear panel is not required to be removed for installation. See “3. UNPACKING”.
- 5) Place the icemaker on the top of the storage bin. Be careful not to damage the icemaker.
- 6) Secure the icemaker to the storage bin at the rear, by using the mounting brackets and bolts provided.
- 7) Seal the seam between the icemaker and the storage bin with food grade sealant.
- 8) A Type model only: Remove the drain pipe collar and drain pan. Secure the bin control switch to the mounting frame using the two bolts provided. Fix the bin control switch wiring with the two nylon ties. Place the ice chute on the unit frame, and refit the drain pan in its correct position.
- 9) Replace the icemaker panels in their correct position.



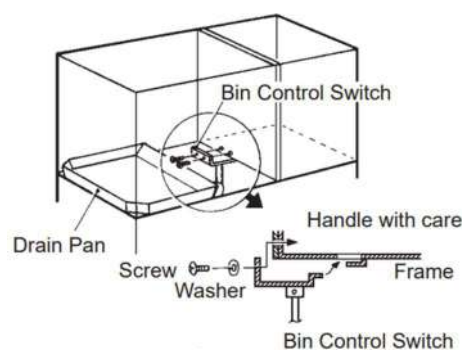
c. Stacking Modular Model – D / X Type

NOTICE

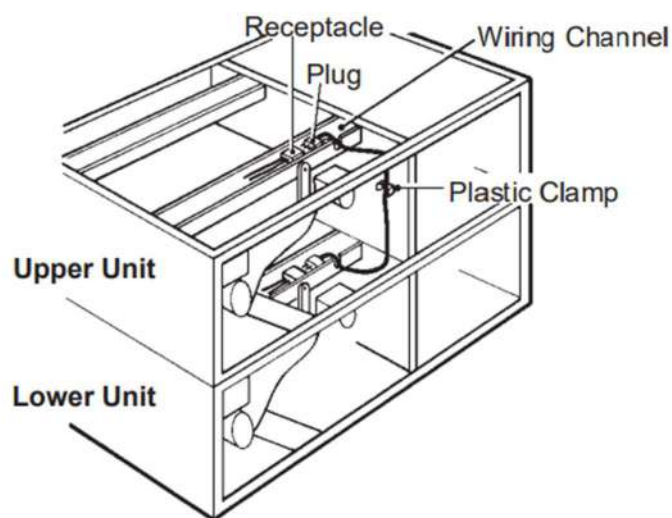
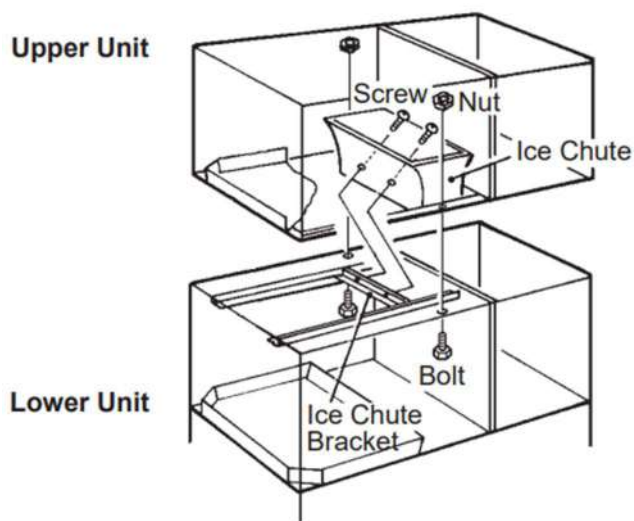
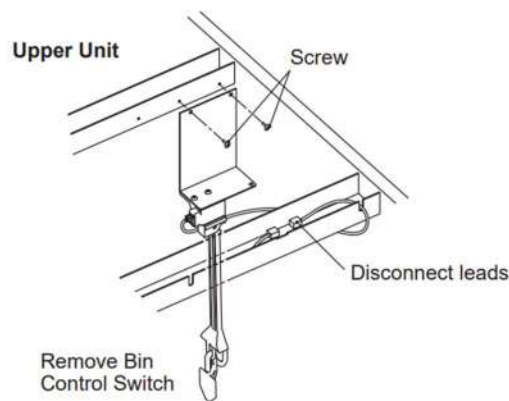
Check the icemaker models. A D-type icemaker and an X-type icemaker will be required for stacking two icemakers. A D-type icemaker and two X-type icemakers will be required when stacking three icemakers. The D-type icemaker is designed for the upper unit, and the X-type for the middle and lower units.

The D-type and X-type icemakers are provided with two different types of bin control switch. Use the bin control switch of the lower (and middle) X-type icemakers when stacking icemakers. The bin control switch must be removed from the upper unit. Misconnection or no connection may cause serious damage to the icemaker units, resulting in failure.

- 1) Prepare and position the storage bin as detailed in 1), 2), 3) and 4) in “5. INSTALLATION”.
- 2) Attach the lower unit (X-type) on the top of the storage bin.
- 3) Secure the lower unit (X-type) to the storage bin at the rear, by using the mounting brackets and bolts provided.
- 4) Remove the shipping tape holding the bin control switch on the drain pan. Attach the bin control switch to the frame located at the left bottom of the condensing unit, and secure it using the two screws and the two washers provided.
- 5) Before stacking, disconnect the bin control switch leads (with three-way plug) from the upper or middle unit. Remove the screws and the bin control switch. When stacking two or three icemakers, the switch for the upper unit will not be required. Keep it after removal.



- 6) Attach the upper or middle unit on the lower unit.
- 7) Secure the two units with the two bolts and the two nuts provided.
- 8) Place the ice chute (lower or middle unit accessory) and secure it to the bracket with the two screws.
- 9) Connect the leads (with three-way plug) located in the lower unit wiring channel to the upper unit receptacle, unplugged in the above step 6). Secure the leads using the plastic clamp provided.



- 10) Replace the icemaker panels in their correct position.

Note: If stacking three icemakers, repeat the instructions 6) - 11) for the upper unit. Remember, only ONE bin control is needed regardless of configuration. The bin control extension leads are pre-wired with the plug and will be found coiled in the X-type wiring channel.

6. ELECTRICAL CONNECTIONS

⚠ WARNING

THIS APPLIANCE MUST BE EARTHED.

This icemaker requires an earth that meets the national and local electrical code requirements.

To prevent possible severe electrical shock to individuals or extensive damage to the unit, install a proper earth wire to the icemaker.

Disconnect the main power supply before any maintenance, repairs or cleaning is undertaken.

- This appliance requires a separate 220-240VAC supply:
 - 10A [IM-21/30CPE/CWPE, 45CPE/PE/WPE, 65PE/WPE, 100/130CPE/PE/WPE/APE]
 - 13A [IM-240PE/WPE/APE/AWPE/DPE/DWPE/XPE/XWPE]
- The electrical supply must be protected by a suitable circuit breaker.
- The main control box fuse is rated at 5A and should only be replaced by a qualified service engineer.
- Usually an electrical permit and services of a licensed electrician are required.

For the U.K. and the Republic of Ireland only


The Wires in the mains lead are coloured in accordance with the following code:

Green & Yellow = Earth

Blue = Neutral

Brown = Live

As the colours of the wire in the mains lead of this appliance may not correspond with the coloured marking identifying the terminals in your plug, proceed as follows:

The wire which is coloured Green & Yellow must be connected to the terminal in the plug which is marked with the letter E or by the symbol  or coloured Green or Green & Yellow.

The wire which is coloured Blue must be connected to the terminal marked with the letter N.

The wire which is coloured Brown must be connected to the terminal marked with the letter L.

7. WATER SUPPLY AND DRAIN CONNECTIONS**▲WARNING**

Connect to potable cold water supply only.



The connections to the mains water supply must be made in accordance with the countries' current requirements of the Water Supply or Water Fittings Regulations.

Ice making water must be potable water. Where scaling can be caused by water quality:

- Installation of an external filter or softener is recommended. Contact your local water treatment professional or Hoshizaki service agent.
- Change to the "full drain flush" mode is recommended. Contact your local Hoshizaki service agent.

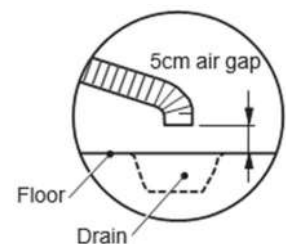
A plumbing permit and services of a licensed plumber may be required in some areas.

The rated water supply temperature is 5 - 35°C at a rated pressure of 0.05 - 0.8 MPa (0.5 - 8 bar) with a required flow rate of 3.8L/min. If the pressure exceeds 0.8MPa (8 bar), use a proper pressure reducing valve. Do NOT throttle back the supply tap.

Be sure to use the new hose-sets supplied with the appliance. Do not reuse any old hose-sets.

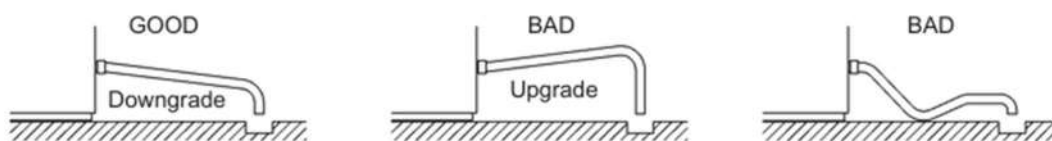
[Drain Connections]

Drain lines should not be installed directly to the sewer system. A vertical air gap of a minimum of 5 cm should be between the end of the drain hoses from the icemaker and the floor drain.



[Gravity Drain Models]

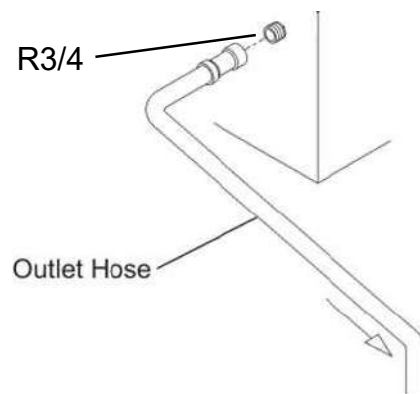
The icemaker drain is gravity flow, so ensure drain hose has an adequate pitch or fall, as shown.



To prevent a backflow into the storage bin, the outlet hose must be laid as shown.

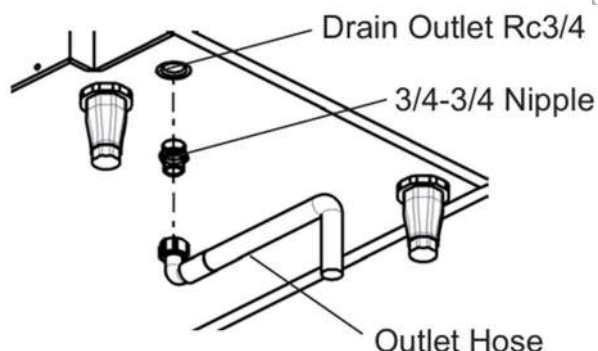
[Except IM-130CPE]

- 1) Hand tighten grey flexible outlet hose (accessory) onto the R3/4 fitting on the rear of the icemaker as indicated, ensuring rubber washer is correctly positioned to obtain a leak free joint. The hose can be cut to length as necessary to suit position of main drain.



[IM-130CPE]

- 1) By means of a suitable spanner or wrench, tighten the 3/4-3/4 nipple (accessory) into the Rc3/4 fitting on the bottom of the icemaker as indicated. P.T.F.E. tape and/or a suitable sealing compound should be used to obtain a leak free joint.

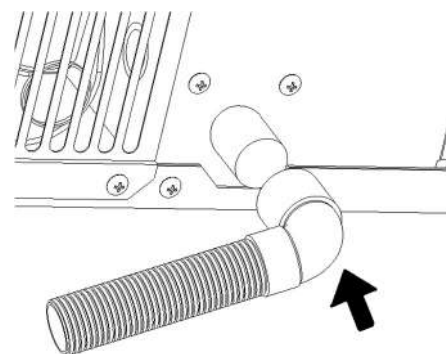


Note: Jointing compounds should be approved and suitable for potable water use.

- 2) Hand tighten grey flexible outlet hose (accessory) onto the 3/4-3/4 nipple as indicated, ensuring rubber washer is correctly positioned to obtain a leak free joint. The hose can be cut to length as necessary to suit position of drain.

[Drain Pump Models]

- 1) Attach the angled end of the flexible outlet hose (accessory) to the 22mm dia push fitting on the rear of the icemaker as indicated, ensure that the clamp is placed over the angled end to provide a leak free joint.
- 2) It is advised that the drain hose has a slight downgrade before going vertical.

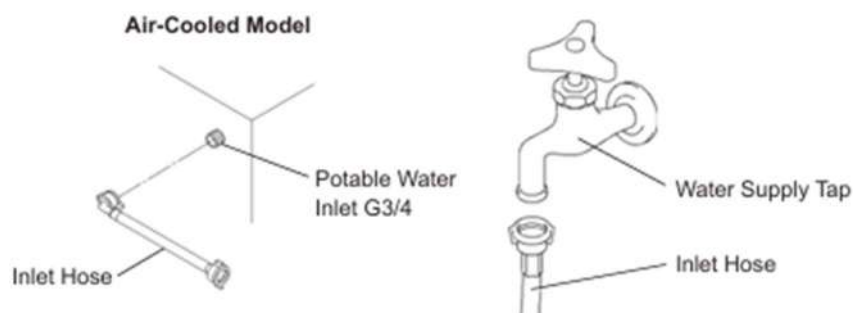


Note: Maximum height (H) 1.5m at length (L) 5m, Maximum length (L) 15M at height 0.5m

Note: Hose provided in the accessory kit is 2m long, to increase the length of drain hose please replace the outlet hose with a hose with a 22mm dia ID up to the maximum values shown above.

[Potable Water Supply – Air & Water-Cooled Models]

- 1) Attach the angled end of flexible inlet hose (accessory) to the G $\frac{3}{4}$ fitting on the rear of the icemaker as indicated, ensuring rubber sealing washer is correctly positioned. Hand tighten sufficiently to provide leak free joint.
- 2) Attach the other end of inlet hose to the water tap, noting washer is correctly positioned before hand-tightening as above. It is a wise precaution to have a stop valve within easy reach.



Note: To avoid performance reduction or malfunction caused by scaling, the water supply should have a hardness of not more than 150mg/L and a silica content of not more than 30mg/L. Otherwise, installation of a proper water treatment device will be required.

[Condensing Water Supply - Water-Cooled Models]

Hoshizaki recommends that the water-cooled condenser should be connected to a closed circuit recirculating type cooling system utilizing a tower, water chiller or similar. Water make up should be via a ball valve/break tank arrangement.

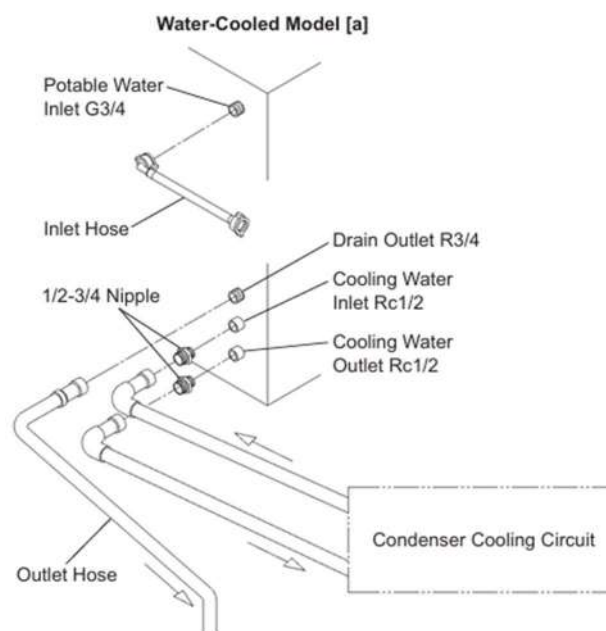
Whilst connecting a water-cooled condenser to a mains water (potable) supply will not affect the performance of the machine, it will most certainly cause a high use/waste of a valuable resource and is not recommended.

The services of a licensed or coded plumber should be used to ensure a correct installation.

The connections should be made properly in compliance with the applicable national or local regulations.

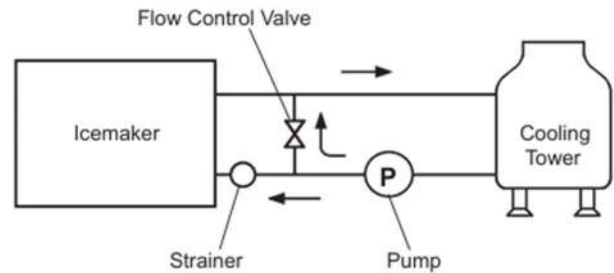
Pipes between the cooling tower and the icemaker should be at least 20 mm DIA to reduce pressure loss, even though the icemaker fittings are 13 mm DIA.

Pressure loss in the water circuit inside the unit will be 5 to 6 m when the cooling water flows at the ratio of 4 to 5 lit/min.



When selecting a cooling tower, refer to the following peak values of heat flow in the condenser:

Model:	IM-30CW/45W:	295-760W
	IM-65W	875W
	IM-100/130W	1165W
	IM-240W	5235W



Select a circulating pump referring to the above values of heat flow.

Do not use a cascade pump, or the water regulator will vary the flow and stop it during the defrost cycle.

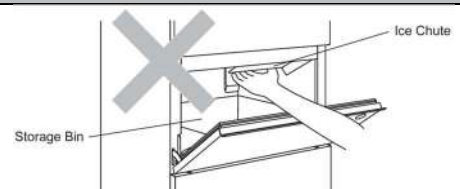
[Icemaker Connections]

- 1) By means of a suitable spanner or wrench, tighten the 1/2-3/4 nipples (accessory) into the Rc1/2 fittings on the rear of the icemaker as indicated.
P.T.F.E. tape and/or a suitable sealing compound should be used to obtain a leak free joint.
Note: Jointing compounds should be approved and suitable for potable water use.
- 2) Attach two of the angled end of the flexible hose (accessory) to the 1/2-3/4 nipple attached to the ice maker, ensuring rubber sealing washer is correctly positioned. Hand tighten sufficiently to provide leak free joint.
- 3) Connect the condenser cooling circuit to the free end of the flexible hoses (accessory) attached to the 1/2-3/4 nipples as indicated, make sure all joints are leak free.
Note: If filtration or treatment is used, ensure icemaker section only is on treated water supply, not the condenser.

II. OPERATING INSTRUCTIONS

⚠CAUTION

Do not put your hands into the back of the storage bin or the ice chute on top of the storage bin. Ice may drop off the icemaker, a hard block of ice may suddenly break down, or the icemaking mechanism may suddenly move, resulting in injury.



NOTICE

All parts are factory-adjusted. Improper adjustments may result in failure.

If the unit is turned off, wait for at least 3 minutes before restarting the icemaker to prevent damage to the compressor.

When there is an error (EG) or DP is broken, the machine will stop working to avoid over flowing.

⚠HYGIENE

This icemaker is designed to produce edible ice. To keep the icemaker hygienic:

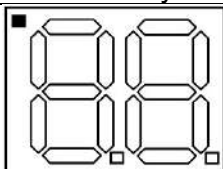
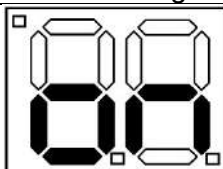
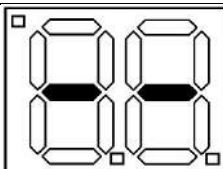
- * Wash your hands before removing ice. Use the plastic scoop provided (accessory).
- * The storage bin is for ice use only. Do not store anything else in the bin nor use other electrical appliances in the bin.
- * Clean the storage bin before use (see "III. 1. CLEANING").
- * Keep the scoop clean. Clean it by using a neutral cleaner and rinse thoroughly.

* Close the door after removing ice to prevent entrance of dirt, dust or insects into the storage bin.

1. START UP

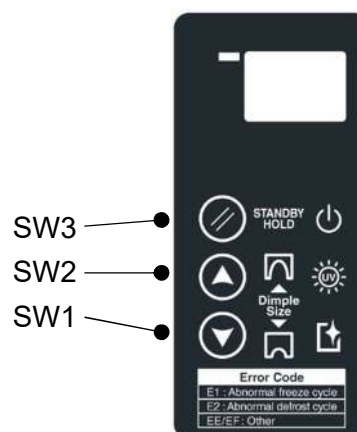
The installer will normally commission the icemaker to start the automatic ice making process. To ensure continuous operation, make sure that:

- * The water supply tap is on, and
- * The icemaker is connected to the power supply.

Mode	Stand-by	Ice Making	Bin Control
Display			

2. CONTROLS

	Press	Hold
SW3	Resets the machine, starts defrost cycle.	Turns machine into standby mode, same function as bin full, power still on.
SW2	Increase dimple size.	Activates UV sanitisation mode (UVC device control also activates when bin full)
SW1	Decrease dimple size.	Activates cleaning mode.



3. PREPARING THE ICEMAKER FOR LONG STORAGE

NOTICE

This icemaker will not work at subfreezing temperatures. To prevent damage to the water supply line, drain the icemaker when air temperature is below zero.

▲HYGIENE

When shutting down the icemaker for two or more days, drain the icemaker to prevent contamination in the water circuit.

- 1) Unplug the icemaker or disconnect the power supply.
- 2) Close the water supply tap, and remove the inlet hose.
- 3) Remove all ice from the storage bin, and clean the bin.
- 4) Ask for draining of the icemaker by professional qualified personnel.

III. MAINTENANCE

1. CLEANING

▲WARNING

Before carrying out any cleaning or maintenance operations, unplug the icemaker from the electrical supply network.

This appliance must not be cleaned by use of a water jet.

▲CAUTION

When using a neutral cleaner or sodium hypochlorite, thoroughly read and understand the instructions provided to prevent potential health problems.

NOTICE

Ask a trained service person to clean and sanitise the icemaker water system at least twice a year and to check and clean the condenser at least once a year.

To prevent possible damage, do not clean the plastic parts with water above 40°C or in a dishwasher.

[a] Machine and Bin Exterior

Wipe the exterior at least once per week with a clean, soft cloth. Use a damp cloth containing a neutral cleaner to wipe off grease or dirt. After cleaning, treat external surfaces with a stainless steel care product to prevent corrosion caused by aggressive external influences.

[b] Scoop and Storage Bin Handle Cleaning/Sanitisation (Daily)

- 1) Either mix 1 litre of water with 4 ml of 5.25% sodium hypochlorite solution in a suitable container, or the recommended Hoshizaki sanitiser as directed.
- 2) Soak the scoop in the solution for more than 3 minutes. Rinse thoroughly, and shake to remove surplus liquid. Note: Using a cloth to dry may re-contaminate.
- 3) Use a neutral cleaner to wash the storage bin handle. Rinse thoroughly.
- 4) Soak a clean cloth with the sanitising solution, and wipe the handle. Use fresh water and a clean cloth to rinse/dry.

[c] Storage Bin Interior Cleaning/Sanitisation (Weekly)

- 1) Open the storage bin door, and remove all ice.
- 2) Wash the bin liner with a neutral non-abrasive cleaner. Rinse thoroughly.
- 3) Soak a clean cloth with the neutral cleaner, and wipe both sides of the slope and the door inner surface. Wipe off the cleaner with a clean damp cloth.
- 4) Either mix 5 litres of water with 18 ml of 5.25% sodium hypochlorite solution in a suitable container, or the recommended Hoshizaki sanitiser as directed.
- 5) Soak a clean sponge or cloth with the solution, and wipe the bin liner, bin door and slope.
- 6) The remaining solution can be used to sanitise utensils. Note: Do not wipe dry or rinse after sanitising, but allow to air dry.

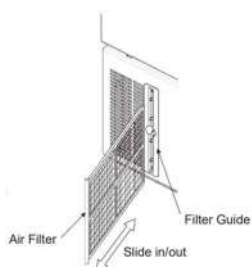
[d] Air Filter (Air-Cooled Model Only)

Plastic mesh air filters remove dirt or dust from the air, and keep the condenser from getting clogged. If the filters get clogged, the icemaker's performance will be reduced. Remove and clean the air filter(s) at least twice per month:

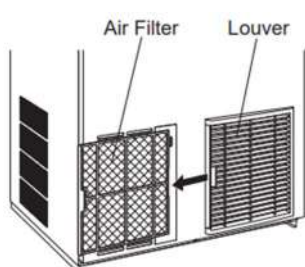
- 1) Slide the air filter off the filter guide [IM-30CPE] or the louver [IM-45CPE/PE, 65PE, 130CPE/PE, 240PE].
- 2) Clean the air filter by using a vacuum cleaner. When severely clogged, use warm water and a neutral cleaner to wash the air filter.
- 3) Rinse and dry the air filter thoroughly.

NOTICE

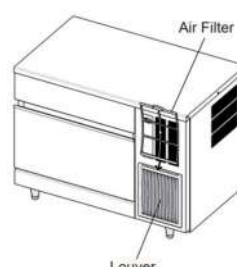
After cleaning, be sure to place the air filter back in position.



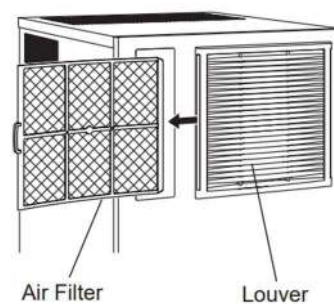
[IM-21/30CPE]



[IM-45/65/100/130/240PE]



[IM-130CPE]



[IM-240APE/DPE/XPE]

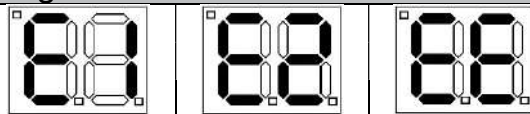
2. BEFORE CALLING FOR SERVICE

[a] Error Code Indication

▲WARNING

If the error code “E” is indicated on the display, there is a possibility of gas leaks. Do not touch the unit. Ventilate the area and immediately call for service.

Code	Error Meaning
E1	Freeze error
E2	Defrost error
EE	Other error



[b] No Error Code Indication

If the icemaker does not work properly or does not work at all and no error code is indicated on the display, before calling for service, check that:

- * The power is supplied to the unit.
- * The water is turned on.
- * The air filter is clean (air-cooled model).
- * The cooling water circuit has a proper flow (water-cooled model).

For further assistance or advice, contact your local Hoshizaki service agent.

3. DISPOSAL

Comply with local regulations regarding disposal of this appliance and its refrigerant gas. Before you scrap the appliance, take off the door to prevent children becoming trapped. Correct disposal of this product:

This marking indicates that this product should not be disposed with other household wastes throughout the EU. To prevent possible harm to the environment or human health from uncontrolled waste disposal, recycle it responsibly to promote the sustainable reuse of material resources. To return your used device, use the return and collection systems or contact the retailer where the product was purchased. They can take this product for environmental safe recycling.



4. WARRANTY

Hoshizaki warrants to the original owner/user that all Hoshizaki branded products shall be free of defects in material and/or workmanship for the duration of the “warranty period”. The warranty shall be effective from the date of installation. Hoshizaki’s liability under the terms of the warranty are limited and shall exclude routine servicing, cleaning, essential maintenance and/or repairs occasioned by misuse and installations not in accordance with Hoshizaki guidelines.

Warranty repairs should be completed by an approved Hoshizaki dealer or service agency using genuine Hoshizaki components.

To obtain full details of your warranty and approved service agency, please contact your dealer/supplier, or the nearest Hoshizaki Service office:

Europe, Middle East, Africa	
Hoshizaki UK - UK, Ireland TEL: +44 845 456 0585 FAX: +44 132 283 8331 uksales@hoshizaki.uk	Hoshizaki Middle East - Middle East TEL: +971 48 876 612 FAX: +971 48 876 613 sales@hoshizaki.ae
Hoshizaki Deutschland - Germany, Switzerland, Austria TEL: +49 5121 697370 FAX: +49 5121 6973719 stoerung@hoshizaki.de	Hoshizaki Benelux - Netherlands, Belgium, Luxembourg Tel: +31 85 018 83 70 info@hoshizaki.nl
Hoshizaki France - France TEL: +33 1 48 63 93 80 FAX: +33 1 48 63 93 88 info@hoshizaki.fr	Hoshizaki Italia - Italy TEL: +39 (0)2 30557106 TEL: +39 348 3022156 info@hoshizaki.it
Hoshizaki Iberia - Spain, Portugal TEL: +34 93 478 09 52 FAX: +34 93 478 08 00 info@hoshizaki.es	Hoshizaki Europe B.V. - all other countries within Europe and Africa TEL: +31 20 6918499 FAX: +31 20 6918768 sales@hoshizaki.nl
Asia, Oceania	
Hoshizaki Singapore TEL: +65 6225 2612 FAX: +65 6225 3219 sales@hoshizaki.com.sg (Sales) serviceadmin@hoshizaki.com.sg (Technical support)	Hoshizaki Hong Kong TEL: +852 2866 2108 FAX: +852 2866 2109
Hoshizaki Taiwan TEL: +886 2 2706 8818 FAX: +886 2 2708 7999	Hoshizaki Lancer TEL: +61 8 8268 1388 FAX: +61 8 8268 1978